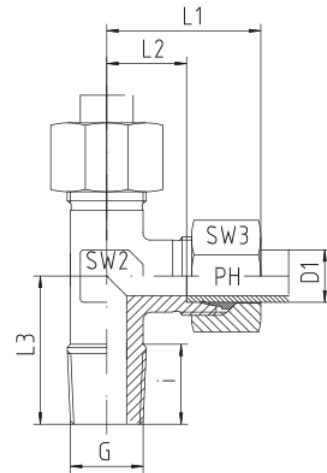
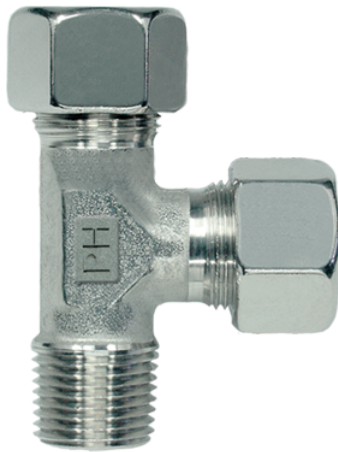


Rubrik 8.147

NPT - Standard



L-Einschraubverschraubungen LL-, L- und S-Reihe Einschraubgewinde: NPT

| Druck | Rohr A.D. | Gewinde | Ca. Maße | | | | | | Bestellzeichen |
|-------|-----------|---------|----------|----|----|---|-----|-----|----------------|
| | | | L1 | L2 | L3 | i | SW2 | SW3 | |
| PN | D1 | G | | | | | | | |

Reihe LL

| | | | | | | | | | |
|-----|---|----------|----|------|------|------|----|----|-------------------|
| 100 | 4 | 1/8" NPT | 21 | 11,0 | 17,0 | 10,0 | 9 | 10 | LE-LL-04-1/8"-NPT |
| 100 | 6 | 1/8" NPT | 21 | 9,5 | 17,0 | 10,0 | 9 | 14 | LE-LL-06-1/8"-NPT |
| 100 | 8 | 1/8" NPT | 23 | 11,5 | 20,0 | 10,0 | 12 | 17 | LE-LL-08-1/8"-NPT |

Reihe L

| | | | | | | | | | |
|-----|----|----------|----|------|------|------|----|----|------------------|
| 315 | 6 | 1/8" NPT | 27 | 12,0 | 20,0 | 10,0 | 12 | 14 | LE-L-06-1/8"-NPT |
| 315 | 6 | 1/4" NPT | 29 | 14,0 | 26,0 | 15,0 | 12 | 14 | LE-L-06-1/4"-NPT |
| 315 | 8 | 1/4" NPT | 29 | 14,0 | 26,0 | 15,0 | 12 | 17 | LE-L-08-1/4"-NPT |
| 315 | 10 | 1/4" NPT | 30 | 15,0 | 27,0 | 15,0 | 14 | 19 | LE-L-10-1/4"-NPT |
| 315 | 10 | 3/8" NPT | 30 | 15,0 | 28,0 | 15,3 | 14 | 19 | LE-L-10-3/8"-NPT |
| 315 | 10 | 1/2" NPT | - | - | - | 20,0 | 17 | 19 | LE-L-10-1/2"-NPT |
| 315 | 12 | 1/4" NPT | 32 | 17,0 | 28,0 | 15,0 | 17 | 22 | LE-L-12-1/4"-NPT |
| 315 | 12 | 3/8" NPT | 32 | 17,0 | 28,0 | 15,3 | 17 | 22 | LE-L-12-3/8"-NPT |
| 315 | 12 | 1/2" NPT | - | - | - | 20,0 | 17 | 22 | LE-L-12-1/2"-NPT |
| 315 | 15 | 3/8" NPT | 36 | 21,0 | 32,0 | 15,3 | 19 | 27 | LE-L-15-3/8"-NPT |
| 315 | 15 | 1/2" NPT | 36 | 21,0 | 34,0 | 20,0 | 19 | 27 | LE-L-15-1/2"-NPT |
| 315 | 18 | 1/2" NPT | 40 | 23,5 | 36,0 | 20,0 | 24 | 32 | LE-L-18-1/2"-NPT |
| 160 | 22 | 3/4" NPT | 44 | 27,5 | 42,0 | 20,0 | 27 | 36 | LE-L-22-3/4"-NPT |

| | | | | | | | | | |
|-----|----|------------|----|------|------|------|----|----|--------------------|
| 160 | 28 | 1" NPT | 47 | 30,5 | 48,0 | 25,0 | 36 | 41 | LE-L-28-1"-NPT |
| 160 | 35 | 1 1/4" NPT | 56 | 34,5 | 54,0 | 25,5 | 41 | 50 | LE-L-35-1 1/4"-NPT |
| 160 | 42 | 1 1/2" NPT | 63 | 40,0 | 61,0 | 26,0 | 50 | 60 | LE-L-42-1 1/2"-NPT |

Reihe S

| | | | | | | | | | |
|-----|----|------------|----|------|------|------|----|----|--------------------|
| 630 | 6 | 1/4" NPT | 31 | 16,0 | 26,0 | 15,0 | 12 | 17 | LE-S-06-1/4"-NPT |
| 630 | 8 | 1/4" NPT | 32 | 17,0 | 27,0 | 15,0 | 14 | 19 | LE-S-08-1/4"-NPT |
| 630 | 10 | 1/4" NPT | 34 | 17,5 | 28,0 | 15,0 | 17 | 22 | LE-S-10-1/4"-NPT |
| 630 | 10 | 3/8" NPT | 34 | 17,5 | 28,0 | 15,3 | 17 | 22 | LE-S-10-3/8"-NPT |
| 630 | 10 | 1/2" NPT | - | - | - | 20,0 | 17 | 22 | LE-S-10-1/2"-NPT |
| 630 | 12 | 1/4" NPT | - | - | - | 15,0 | 17 | 24 | LE-S-12-1/4"-NPT |
| 630 | 12 | 3/8" NPT | 38 | 21,5 | 28,0 | 15,3 | 17 | 24 | LE-S-12-3/8"-NPT |
| 630 | 12 | 1/2" NPT | 38 | 21,5 | 32,5 | 20,0 | 17 | 24 | LE-S-12-1/2"-NPT |
| 630 | 14 | 1/2" NPT | 40 | 22,0 | 34,0 | 20,0 | 19 | 27 | LE-S-14-1/2"-NPT |
| 400 | 16 | 1/2" NPT | 43 | 24,5 | 36,0 | 20,0 | 24 | 30 | LE-S-16-1/2"-NPT |
| 400 | 20 | 3/4" NPT | 48 | 26,5 | 42,0 | 20,0 | 27 | 36 | LE-S-20-3/4"-NPT |
| 400 | 25 | 1" NPT | 54 | 30,0 | 48,0 | 25,0 | 36 | 46 | LE-S-25-1"-NPT |
| 400 | 30 | 1 1/4" NPT | 62 | 35,5 | 54,0 | 25,5 | 41 | 50 | LE-S-30-1 1/4"-NPT |
| 315 | 38 | 1 1/2" NPT | 72 | 41,0 | 61,0 | 26,0 | 50 | 60 | LE-S-38-1 1/2"-NPT |